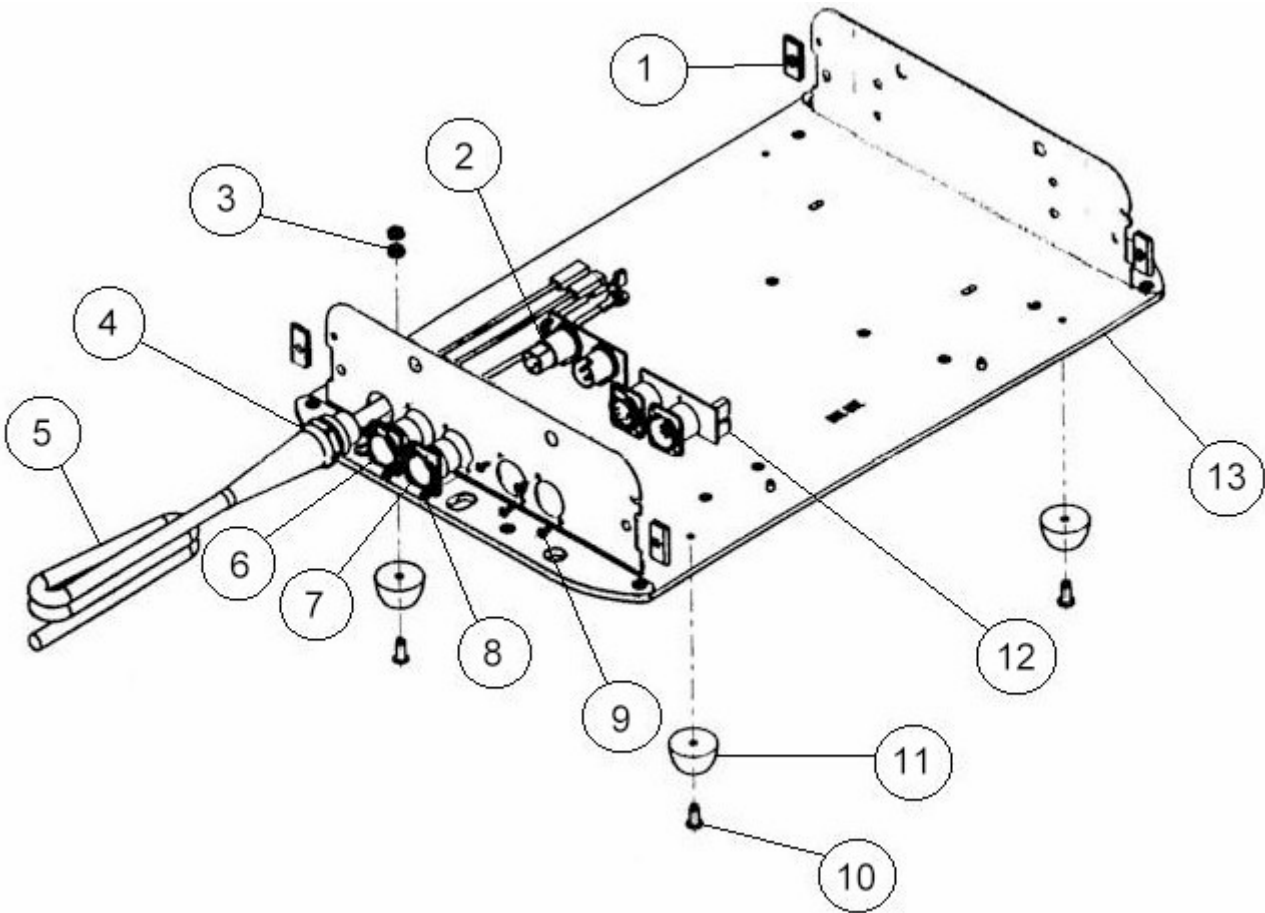
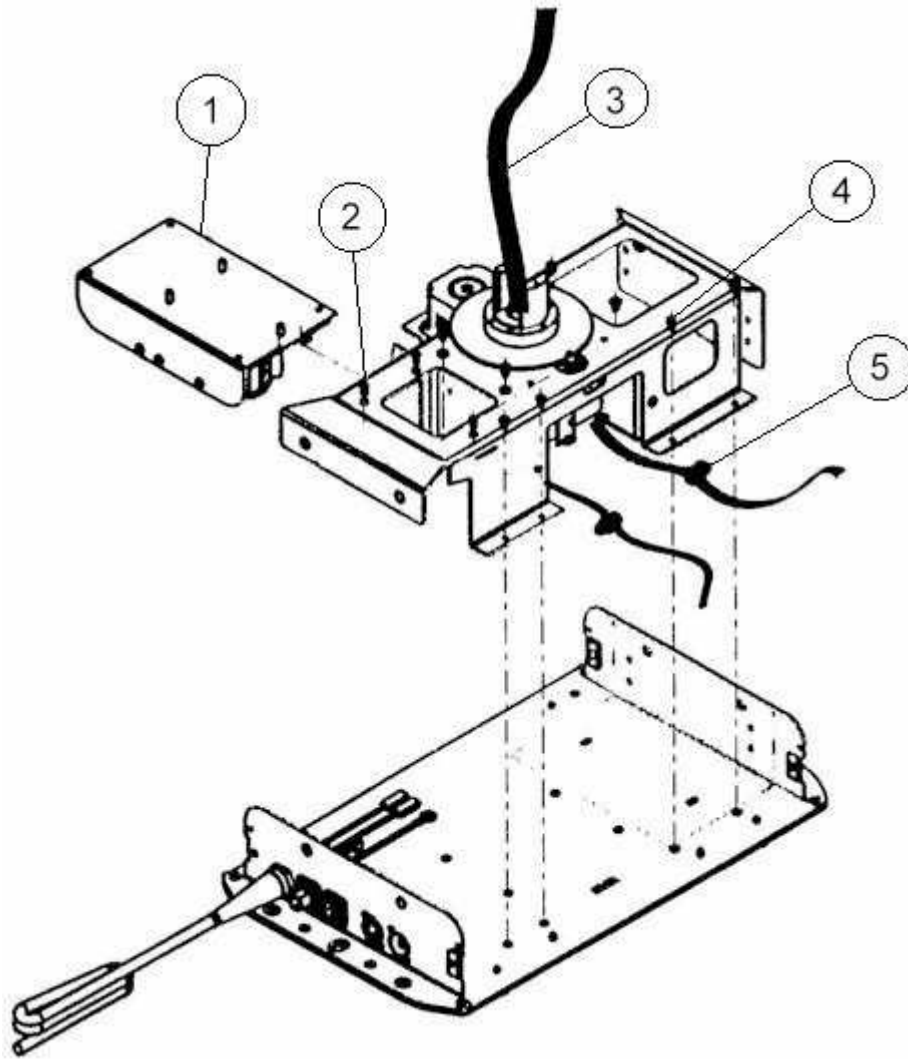


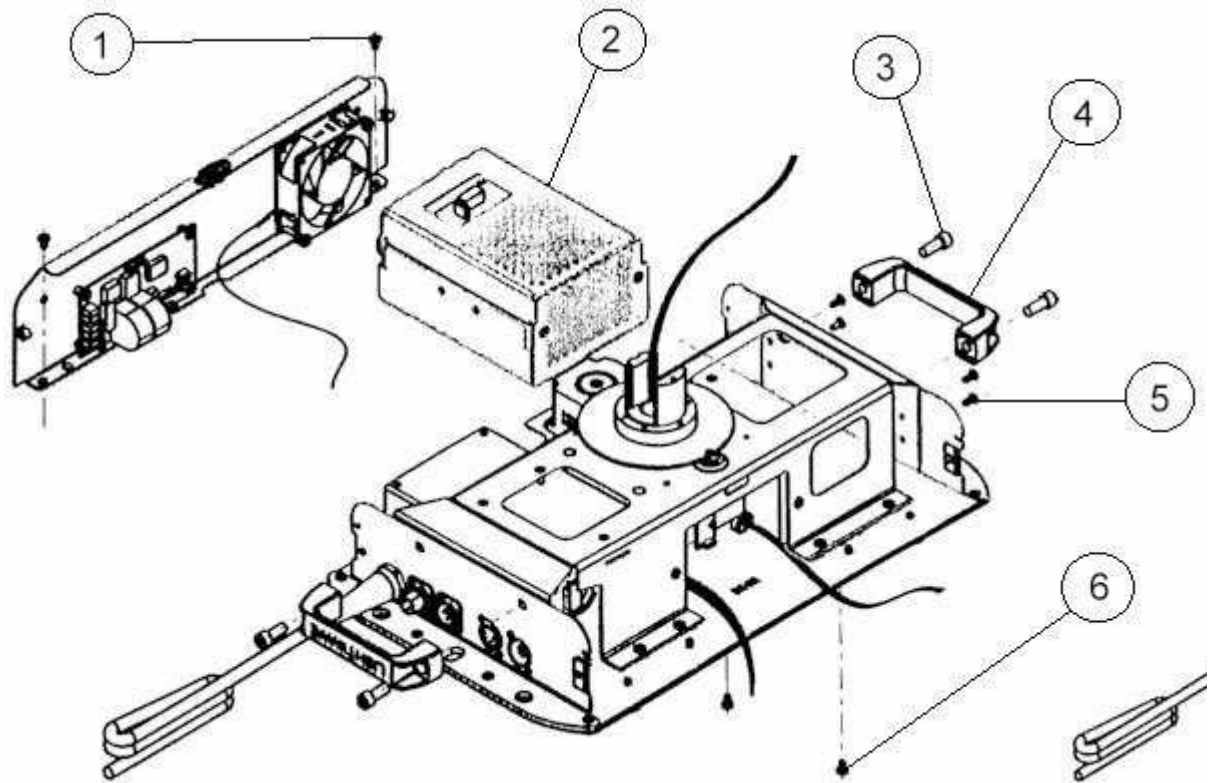
STUDIO BEAM



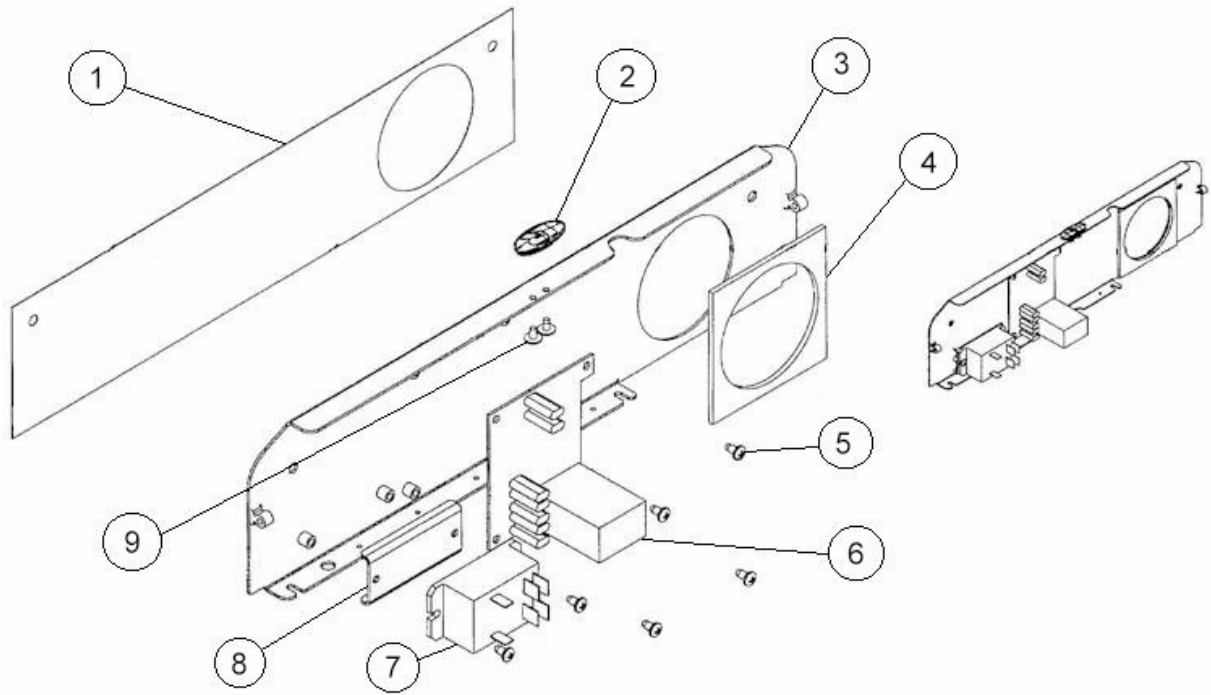
1.	90701099	Receptacle, Clip-on, Narrow Flange
2.	80010101	Board, XLR Connector Assy, 3-Pin
3.	90703023	Nut, Keps 8 - 32
4.	90414008	Strain Relief (for Power Cord)
5.	80470204	Cord, Power, with Strain Relief
6.	90404001	Connector, XLR Housing, Female
7.	90404002	Connector, XLR Housing, Male
8.	90711010	Screw, Phil Flat #4 x 1/4
9.	90709143	Screw, Phil Pan M3 x 6mm
10.	90709181	Screw, Phil Pan 10 - 32 x 5/16 with Star Washer
11.	90410089	Foot, Rubber
12.	80010102	Board, XLR Assy, 5-Pin
13.	80071435	Baseplate / Sidepanel Assy, Coated



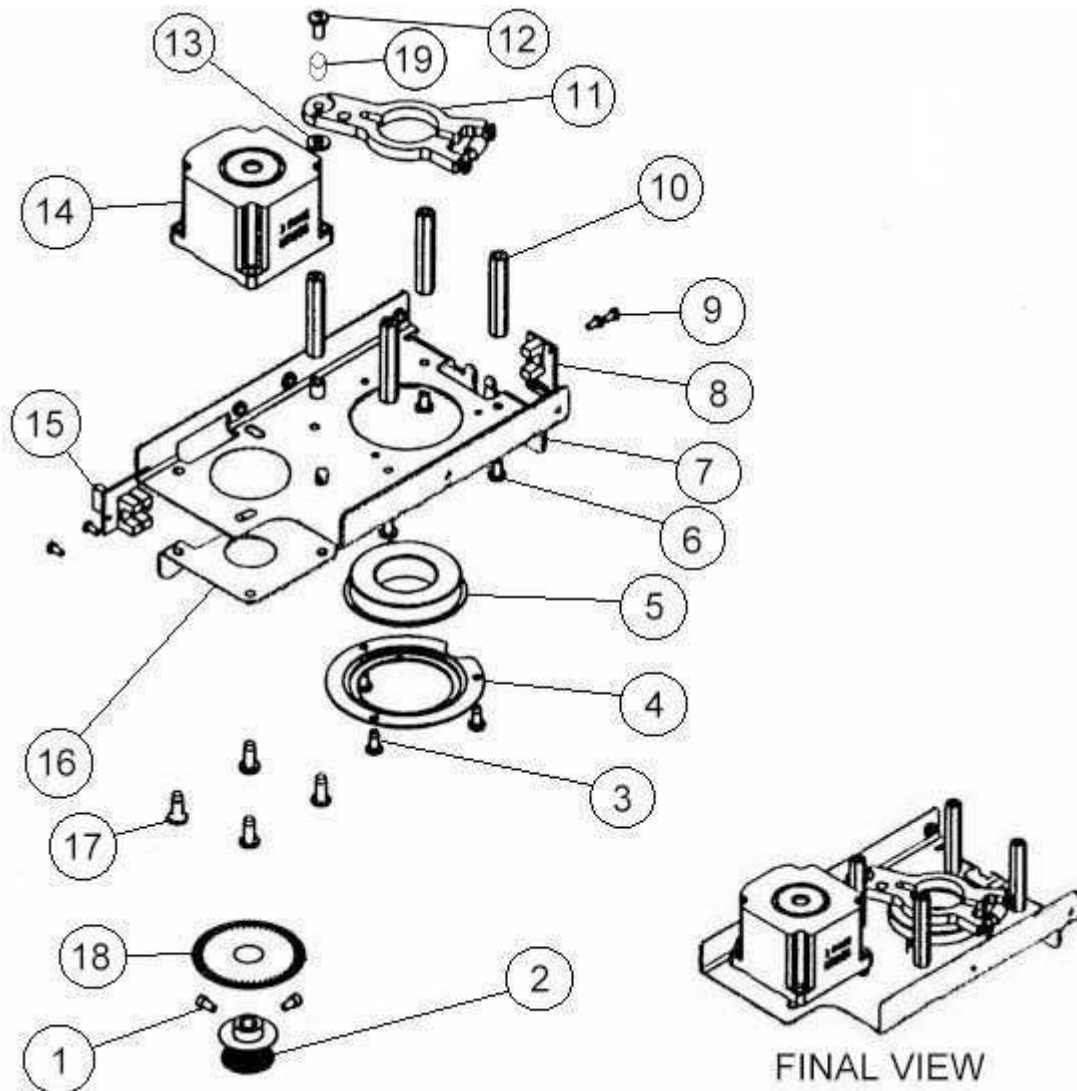
1.	80050049	Board, Motor Power Supply
2.	90711005	Screw, Phil Flat 6 - 32 x 3/8
3.	90409061	Wire Harness, Logic Board - Motors
4.	90709136	Screw, Phil Pan 8 - 32 x 5/16 with Star Washer
5.	90701082	Clip, Snap .5" Black Nylon



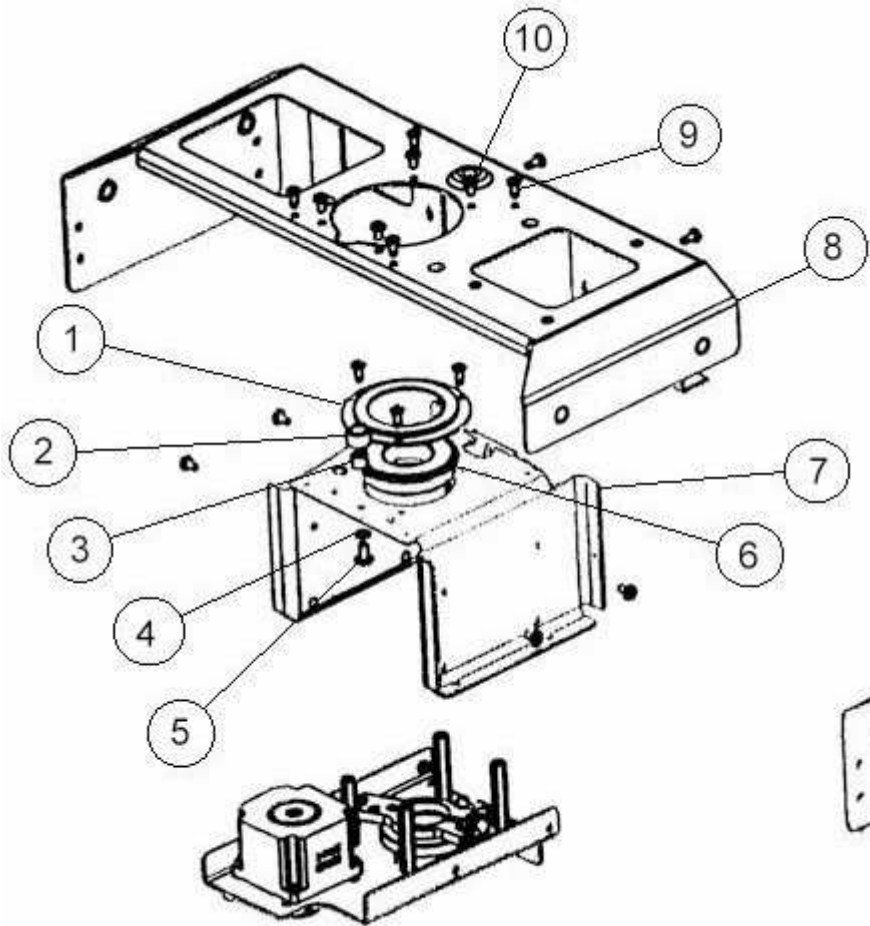
1.	90709136	Screw, Phil Pan 8 - 32 x 5/16 with Star Washer
2.	80050060	Board, Lamp Power Supply
3.	90707028	Screw, Socket Cap 5/16 - 24 x 5/8
4.	90720005	Handle, Small with Logo
5.	90709141	Screw, Phil Flat 8 - 32 x 3/8
6.	90709150	Screw, Phil Pan 8 - 32 x 7/16 with Star Washer



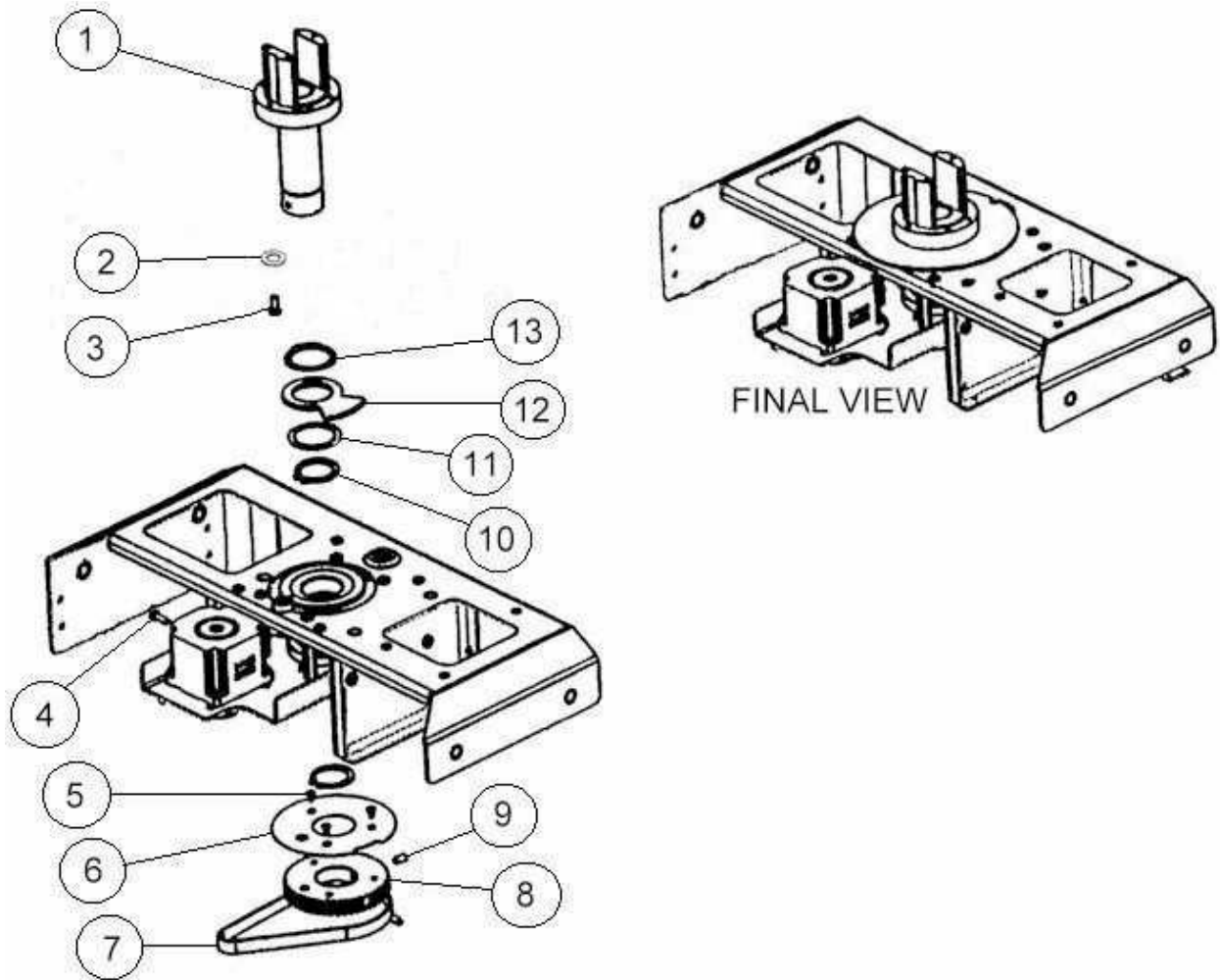
1.	99410077	Label, Back Panel
2.	90724008	Button, LR
3.	99050038	Panel, Rear
4.	90701200	Gasket, Power Supply Fan
5.	90709065	Screw, Phil Pan 8 - 32 x 5/16
6.	80010126	Board, Line Filter
7.	90603011	Relay, 30A DPST 24V
8.	99260322	Bracket, Relay
9.	90709123	Screw, Phil Pan 6 - 19 x 1/4



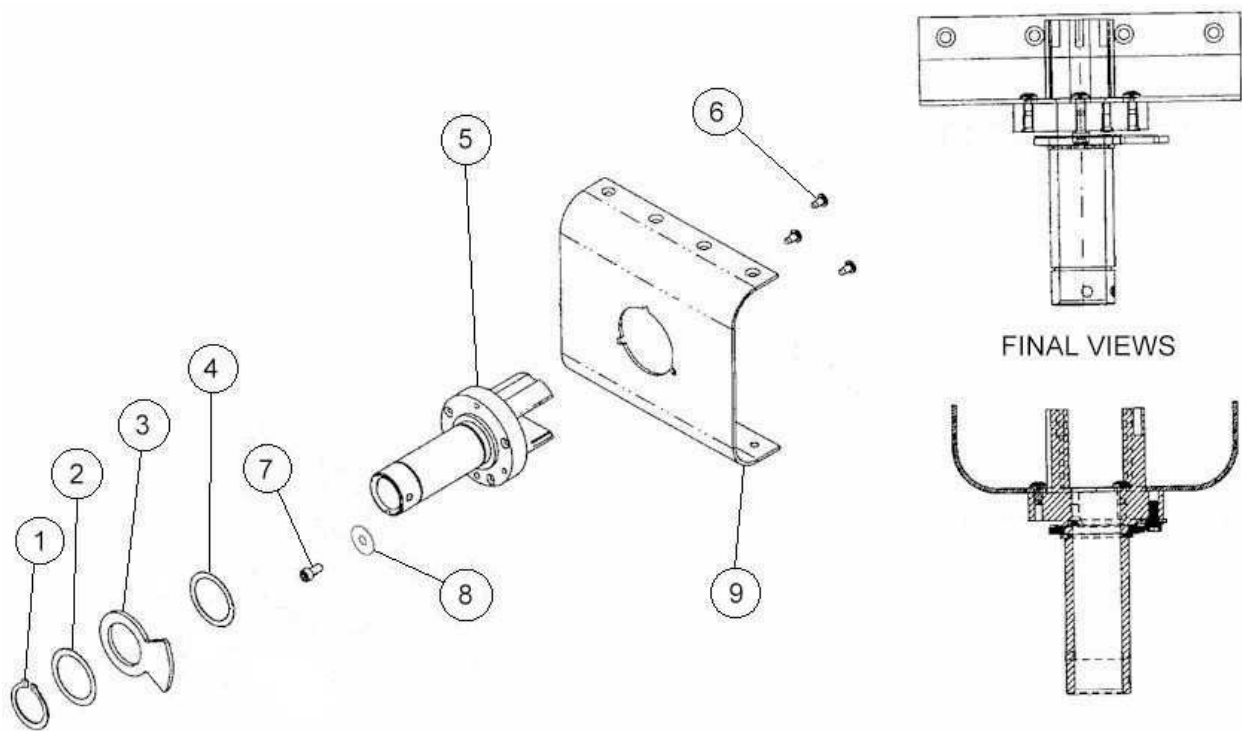
1.	90707091	Set Screw, Hex 8 - 32 x 1/4
2.	99430017	Gear, Pinion Pan / Tilt
3.	90709142	Screw, Phil Pan #8 x 3/8 with Star Washer
4.	99260260	Cap, Bearing Support
5.	90719007	Bearing
6.	90709136	Screw, Phil Pan 8 - 32 x 5/16 with Star Washer
7.	99260284	Plate, Lower Bearing Holder
8.	80040019T	board, Sensor Pan / Tilt
9.	90709129	Screw, Phil Pan #4 x 1/4
10.	90702132	Standoff, Pan Bearing Support
11.	80140028	Damper, Shaft Tensioner
12.	90709020	Screw, Phil Pan 10 - 32 x 3/8
13.	90706012	Washer, Flat #10
14.	99270028	Motor, Pan / Tilt
15.	80010085	Board, Dual Sensor (Encoders)
16.	99080114	Plate, Encoder
17.	90709062	Screw, Phil Pan #10 x 1/2
18.	99180029	Wheel, Optical Encoder
19.	90702135	Spacer .188"



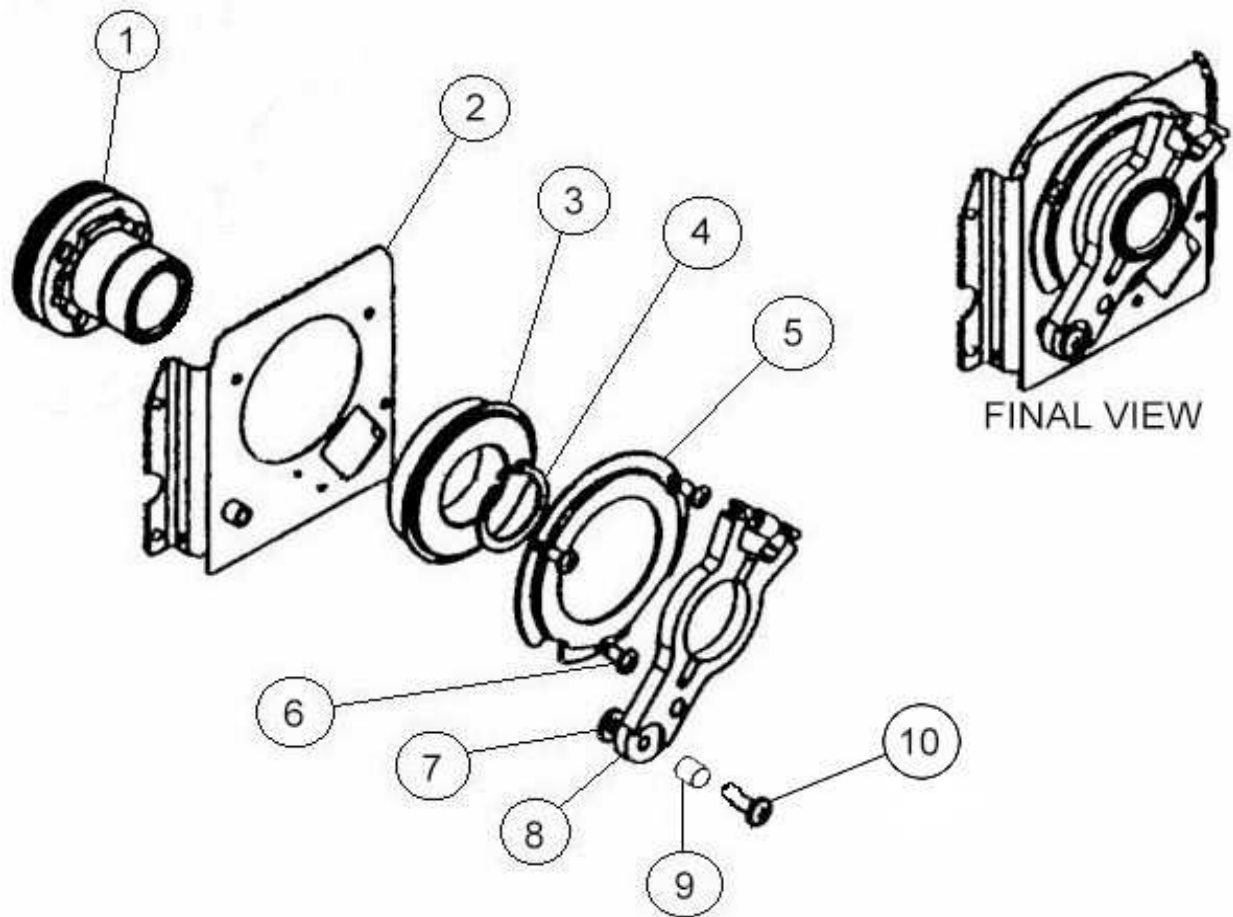
1.	99260260	Cap, Bearing Support
2.	90717022	Tubing, 3/8" Fuel Line
3.	90702154	Standoff, 10 - 32 x .375 OD
4.	90706056	Washer, #10
5.	90709148	Screw, Phil Pan 10 - 32 x 3/8
6.	90719007	Bearing
7.	99260285	Bracket, Pan Bearing Mount
8.	99260286	Bracket, Pan Support
9.	90709043	Screw, Phil Pan #8 x 3/8
10.	90709136	Screw, Phil Pan 8 - 32 x 5/16 with Star Washer



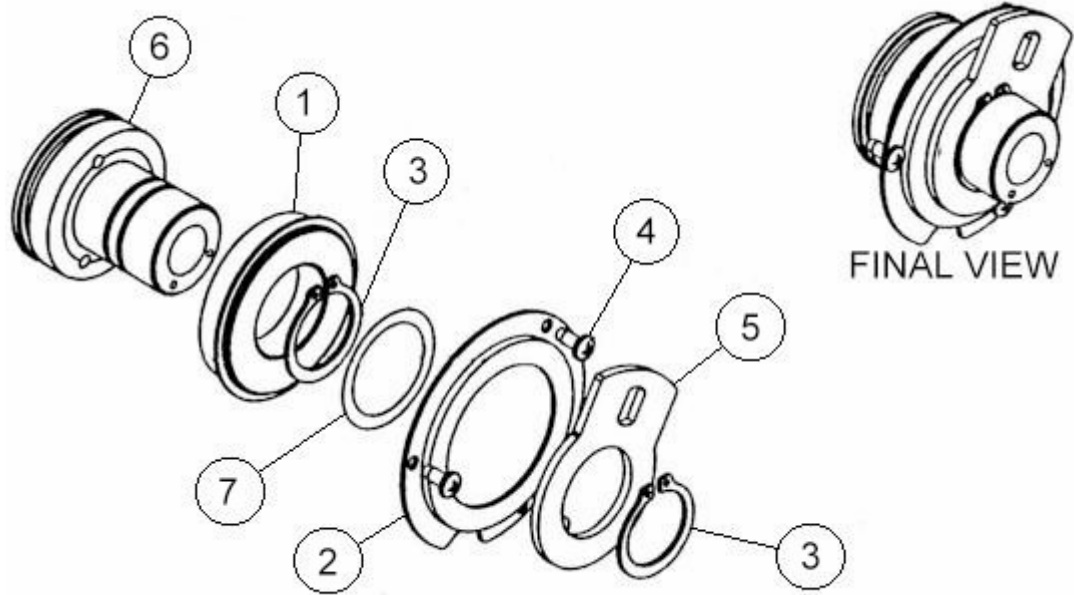
1.	99140013	Tube, Pan Studio Beam
2.	90706056	Washer, #10
3.	90707033	Screw, Socket Cap 10 - 32 x 1/2
4.	90704023	Bolt, Hex 8 - 32 x 5/8
5.	90711044	Screw, Phil Flat 4 - 40 x 1/4
6.	99360016	Flange, Pulley Pan / Tilt
7.	99360006	Belt, Pan
8.	99430044	Gear, Pulley 48 Tooth With Hole
9.	90701083	Set Screw, 10 - 32 x 3/8 Cup Point
10.	90701071	Retainer Ring, Zinc Yellow
11.	90706058	Washer, Spring Stainless
12.	99260193	Pan Stop
13.	90706090	Washer, Nylon



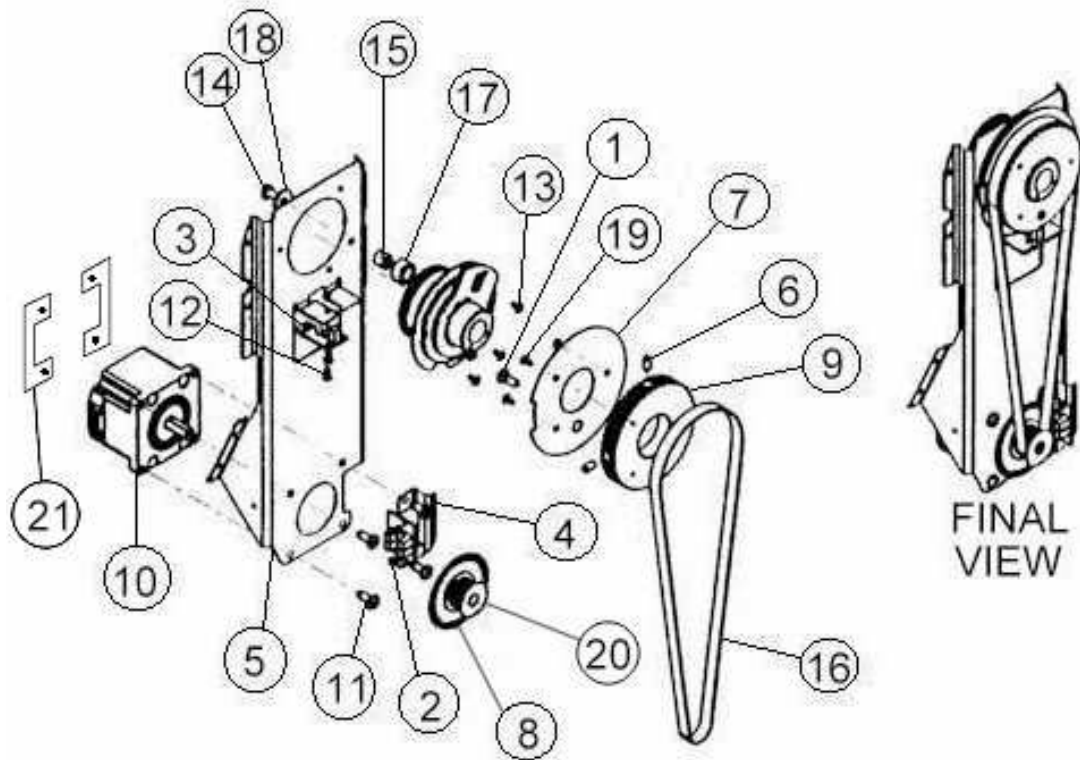
1.	90701071	Retainer Ring
2.	90706058	Washer, Spring Stainless
3.	99260193	Pan Stop
4.	90706090	Nylon Washer
5.	99140013	Pan Tube
6.	90707031	Screw, Socket Cap 8 - 32 x 1/2
7.	90707033	Screw, Socket Cap 10 - 32 x 1/2
8.	90706056	Washer, #10
9.	80071273	Bracket, Yoke Support



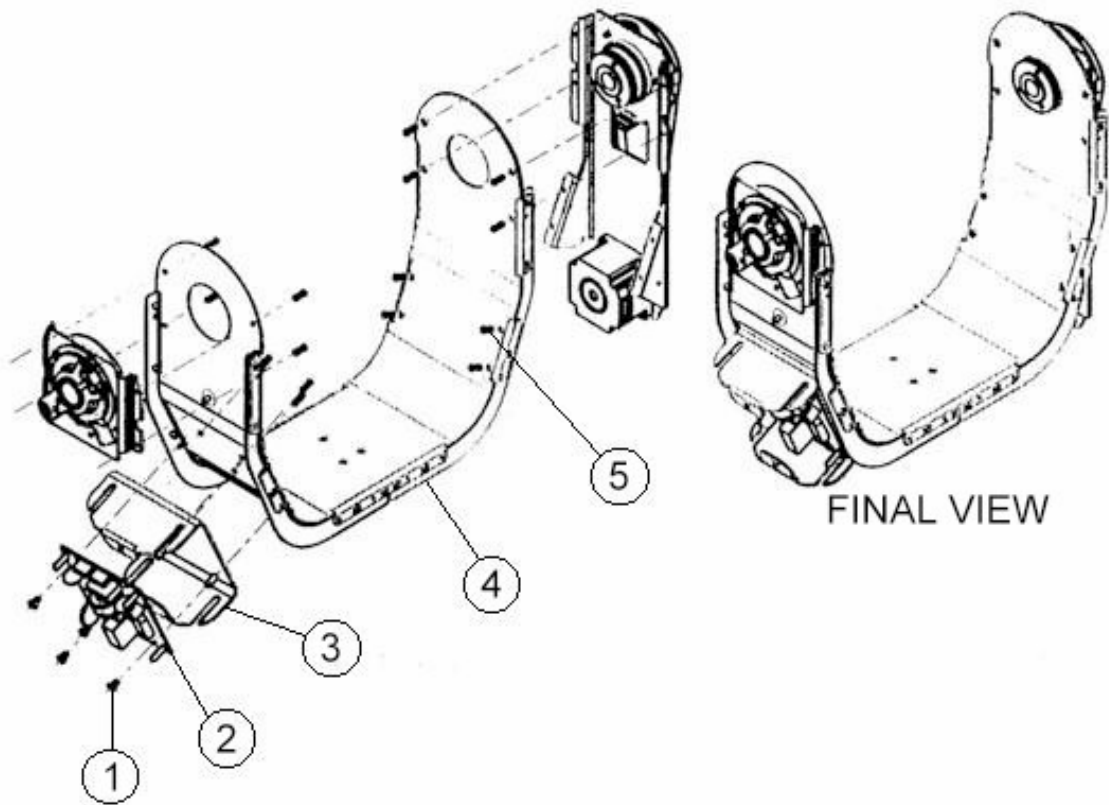
1.	99140014	Tube, Tilt Motor Brake Side
2.	99260184	Bracket, Tilt Bearing
3.	90719068	Bearing
4.	90701071	Retainer Ring, Zinc Yellow
5.	99260260	Cap, Bearing Support
6.	90709043	Screw, Phil Pan #8 x 3/8
7.	90706012	Washer, #10
8.	80140028	Damper, Shaft Tensioner
9.	90702135	Spacer .188"
10.	90708014	Screw, 8 - 32 Socket Shoulder



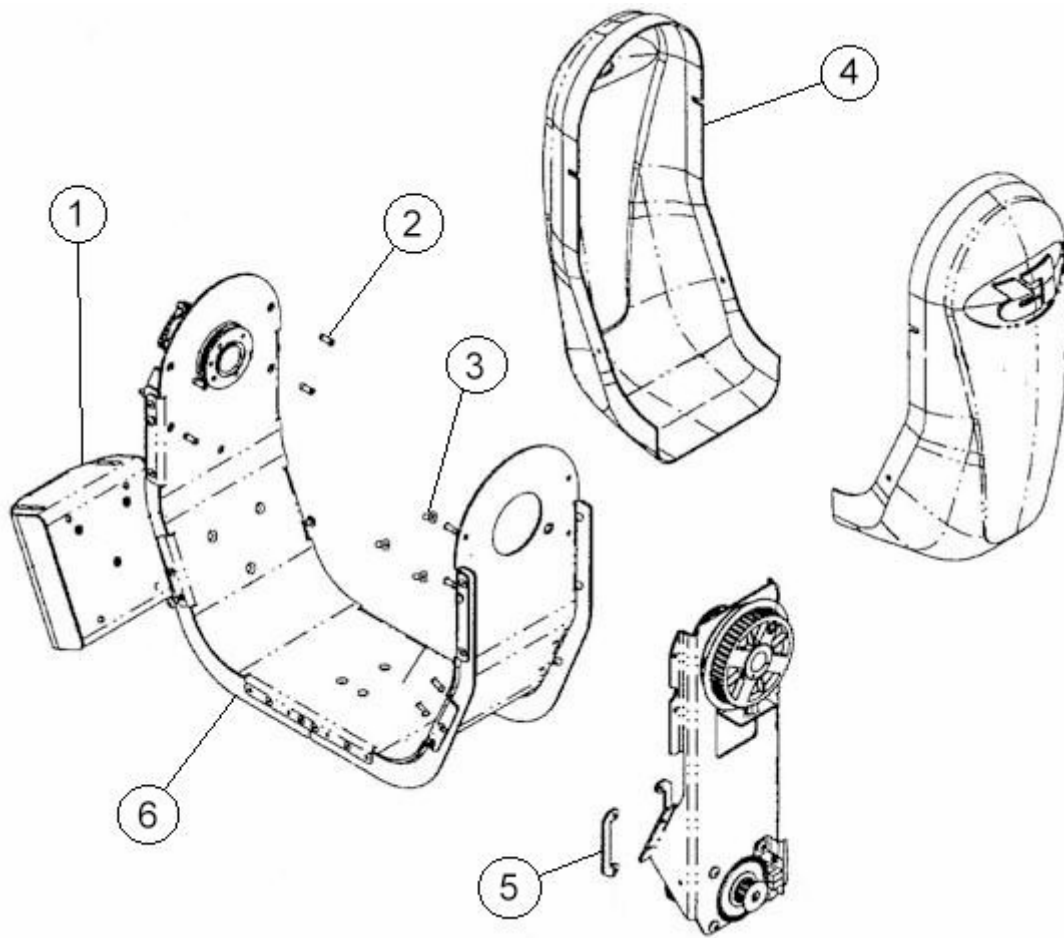
1.	90719068	Bearing
2.	99260260	Cap, Bearing Support
3.	90701071	Retainer Ring, Zinc Yellow
4.	90709142	Screw, Phil Pan #8 x 3/8 with Star Washer
5.	99260192	Tilt Stop
6.	99140007	Tilt Tube, Gear Side
7.	90706058	Washer, Spring Stainless



1.	90707033	Screw, Socket Cap 10 - 32 x 1/2
2.	80010085	Board, Dual Sensor
3.	80040019T	Board, Sensor Assy. Technobeam
4.	99260225	Bracket, Encoder Sensor
5.	99260185	Bracket, Tilt Bearing Gear Side
6.	90701083	Set Screw, Cup Point 10 - 32 x 3/8
7.	99360016	Flange, Pulley Pan / Tilt
8.	99180029	Wheel, Optical Encoder
9.	99430044	Gear, Pulley 48 Tooth with Hole
10.	99270028	Motor Pan / Tilt
11.	90709172	Screw, Phil Pan 8 - 32 x 7/8 with Star Washer
12.	90709129	Screw, Phil Pan #4 x 1/4
13.	90709142	Screw, Phil Pan #8 x 3/8 with Star Washer
14.	90709148	Screw, Phil Pan 10 - 32 x 3/8
15.	90702120	Standoff, 10 - 32 Slot
16.	99360014	Belt, Tilt
17.	90717022	Tubing, 3/8" Fuel Line
18.	90706056	Washer #10
19.	90711044	Screw, Phil Flat 4 - 40 x 1/4
20.	99430017	Gear, Pinion Pan / Tilt
21.	99080117	Plate, Nut Tilt Motor



1.	90711048	Screw, Phil Truss 6 - 32 x 5/16
2.	80060006	Board, Ignitor
3.	99260288	Bracket, Ignitor Board Studio Beam
4.	80071499	Yoke, Bracket Assy Coated
5.	90701161	Rivet, 54 Countersunk Black

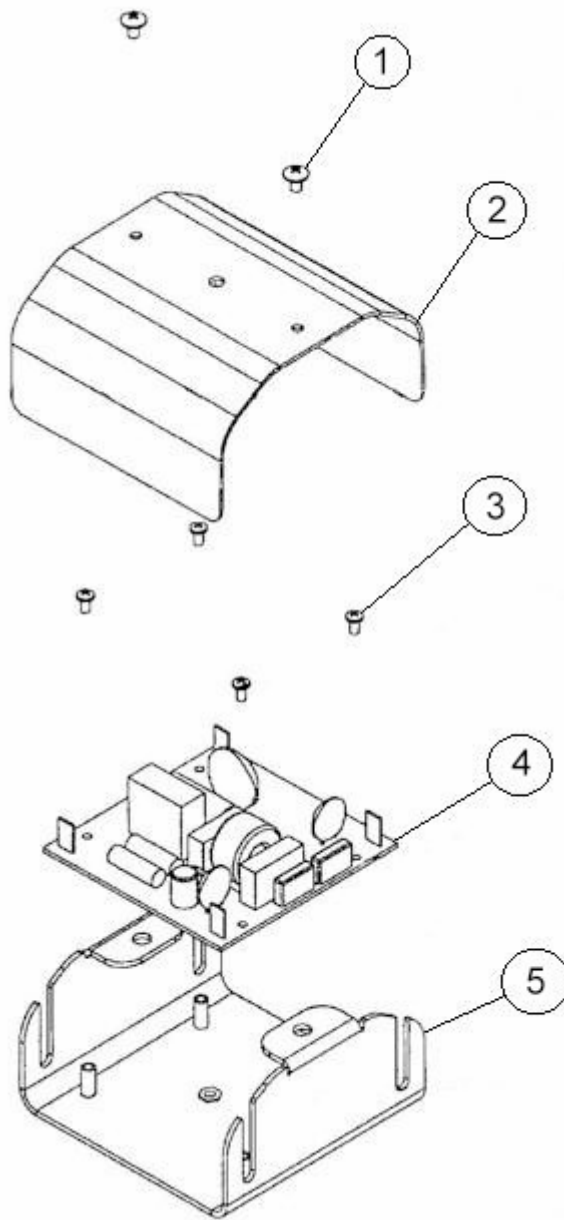


1.	99260288	Bracket, Ignitor Board Studio Beam
2.	90701161	Rivet, 54 Countersunk Black
3.	90709141	Screw, Phil Flat 8 - 32 x 3/8
4.	99240022	Yoke Arm Cover
5.	99080117	Plate, Nut Tilt Motor
6.	80071499	Yoke, Bracket Assy Coated

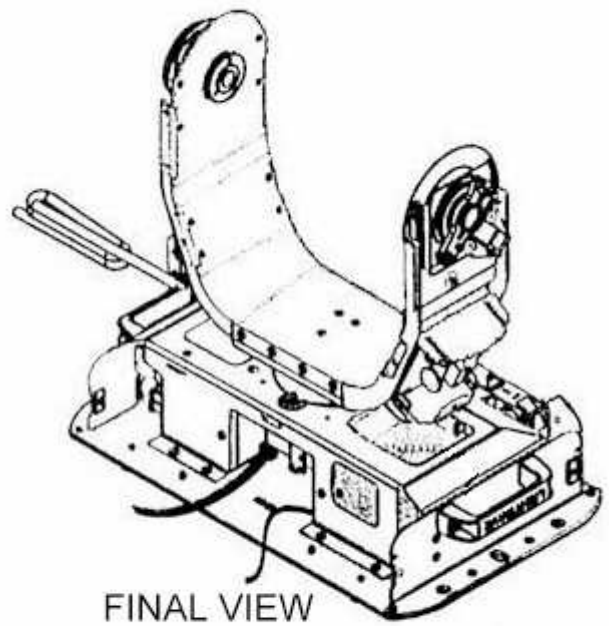
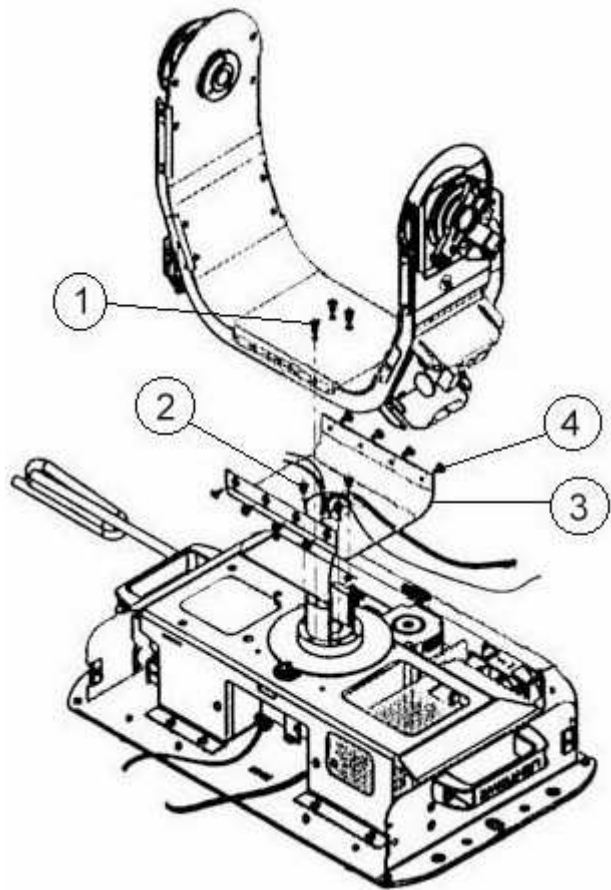
Not Pictured

90711048

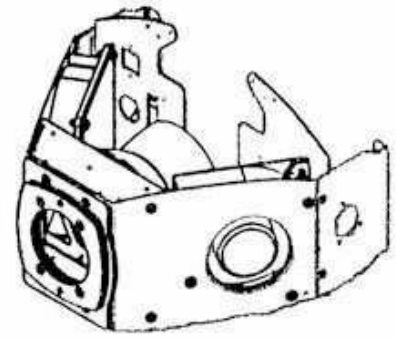
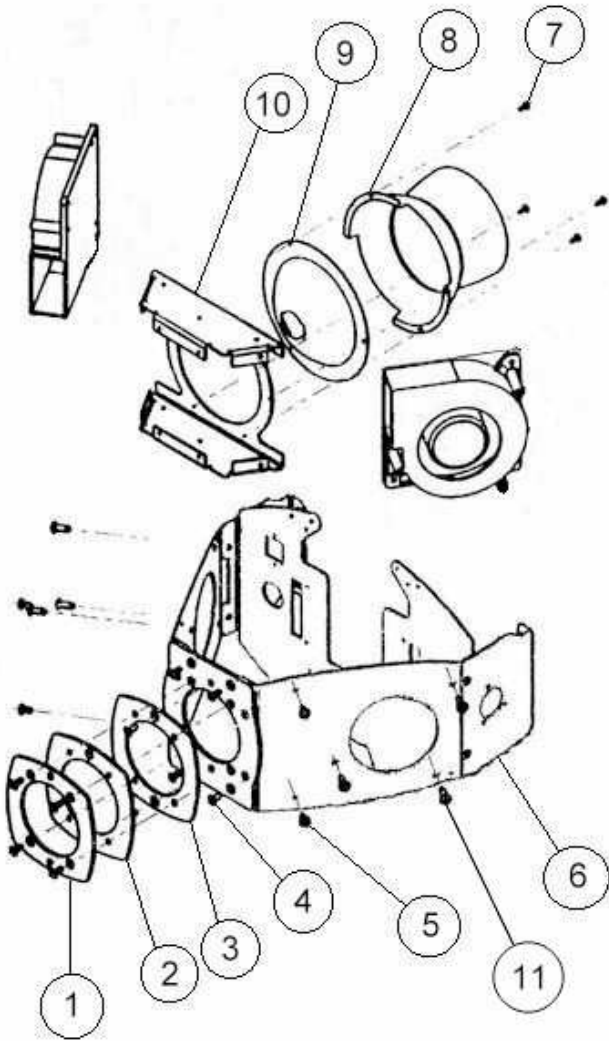
Screw to Attach Yoke Cover to Yoke



1.	90709136	Screw, Phil Pan 8 - 32 x 5/16 with Star Washer
2.	99080090	Cover, Ignitor Bracket
3.	90711048	Screw, Phil Truss 6 - 32 x 5/16
4.	80060006	Board, Ignitor Studio Beam
5.	99260288	Bracket, Ignitor Board Studio Beam

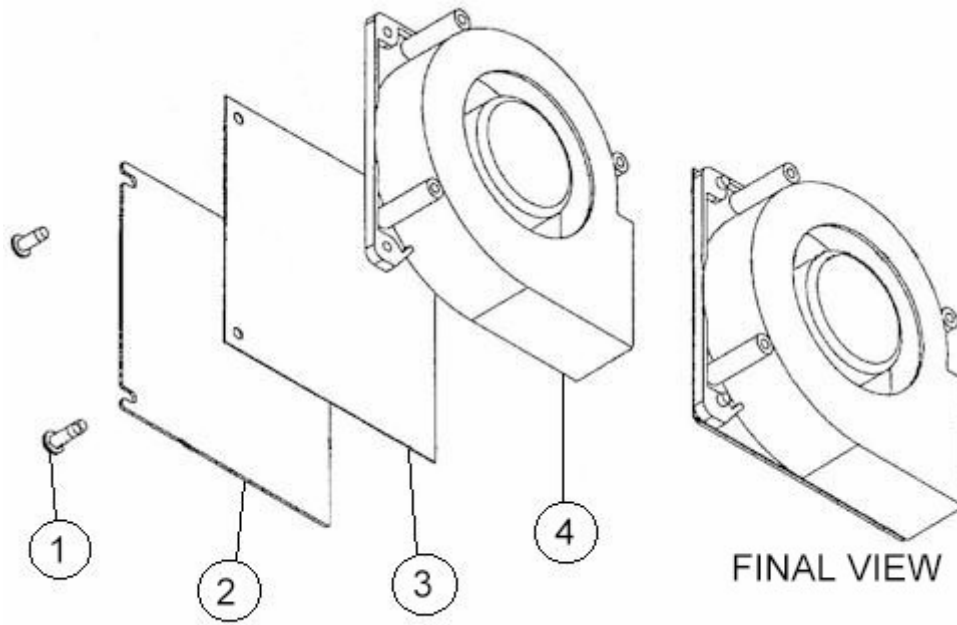


1.	90709141	Screw, Phil Flat 8 - 32 x 3/8
2.	90707031	Screw, Socket Cap 8 - 32 x 1/2
3.	80071273	Bracket, Yoke Support Painted
4.	90711034	Screw, Phil Flat #8 x 3/8

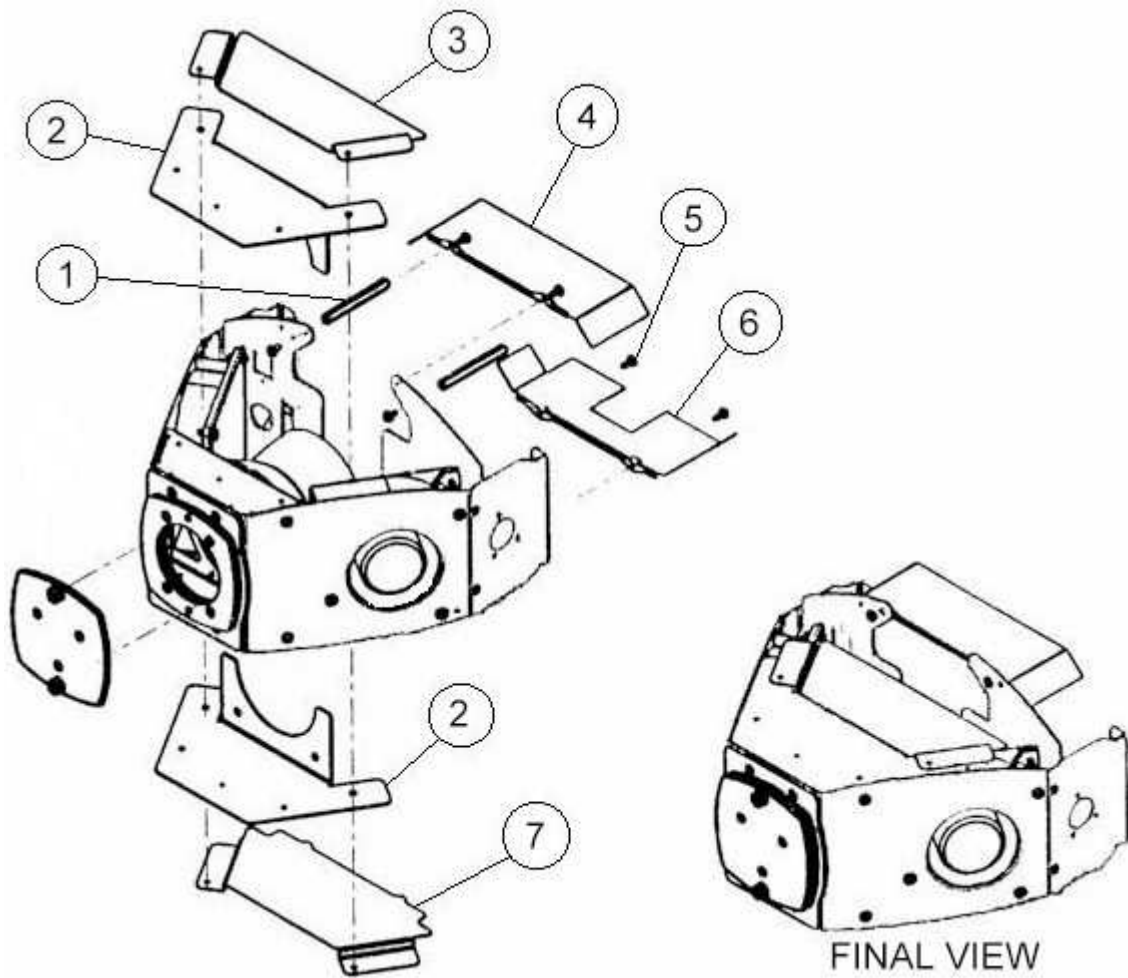


FINAL VIEW

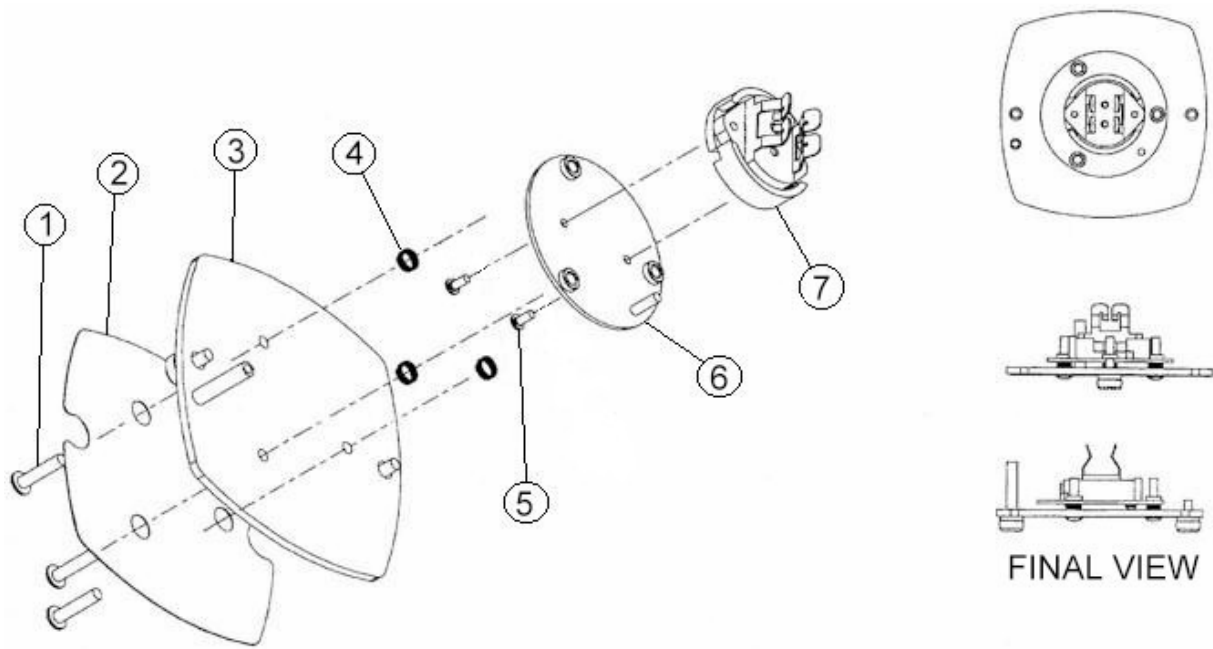
1.	90702152	Shim, Outer Lamp Adjust
2.	90702155	Shim, Mid Lamp Adjust
3.	90702151	Shim, Base Lamp Adjust
4.	90709141	Screw, Phil Flat 8 - 32 x 3/8
5.	90709128	Screw, Phil Pan #8 x 32
6.	80071429	Chassis, Rear Assy. Coated
7.	90709113	Screw, Phil Low Truss 4 - 20 x 5/16
8.	99130018	Reflector, Front Studio Beam
9.	99130017	Reflector, Rear Studio Beam
10.	80071423	Mount, Reflector Coated
11.	90709093	Screw, Phil Pan #10 x 3/8



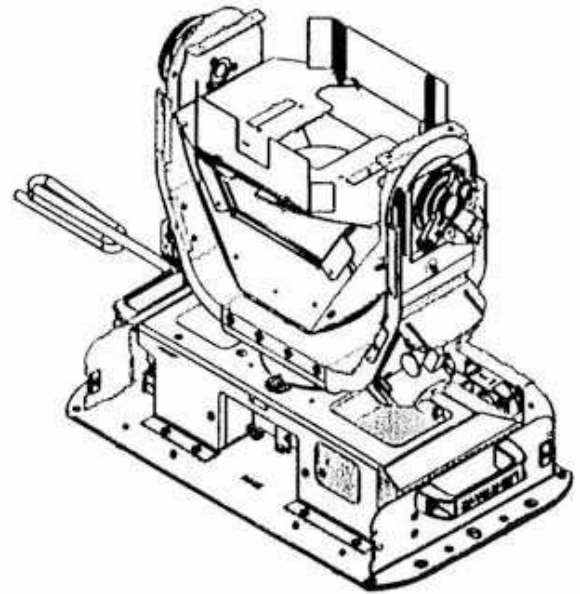
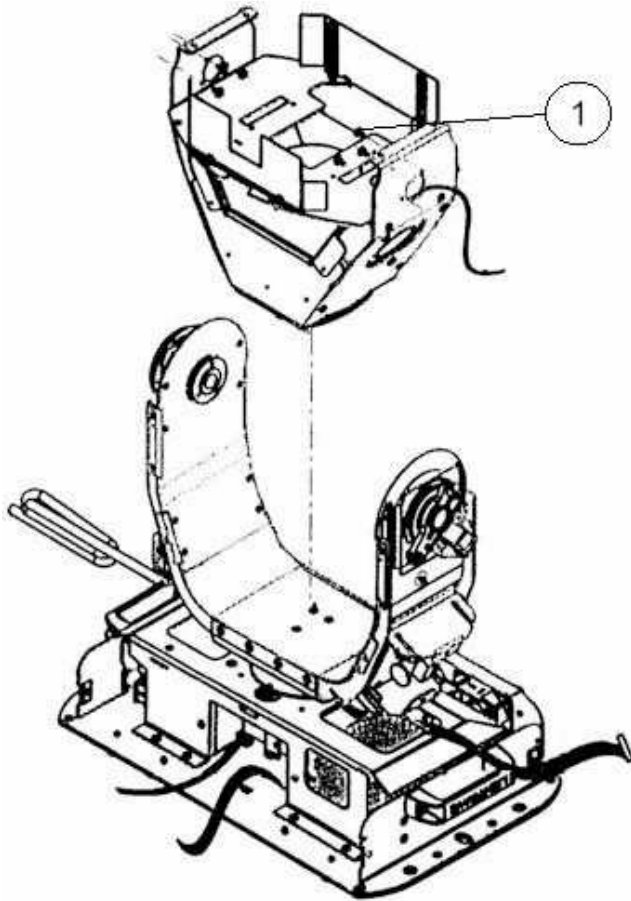
1.	90709062	Screw, Phil Pan #10 x 1/2
2.	80071442	Bracket, Blower Cover
3.	90411051	Insulator, Blower Studio Beam
4.	80270015	Fan, Centrifugal Blower Assy. Studio Beam



1.	90702159	Standoff, Hex 8 - 32 x 2.692
2.	80071418	Baffle, Air Coated Studio Beam
3.	80071440	Baffle, Lamp Reflector
4.	80071437	Light Block (solid)
5.	90709036	Screw, Phil Truss #8 x 3/8
6.	80071436	Light Block (zoom side)
7.	80071444	Light Block, UV Bottom

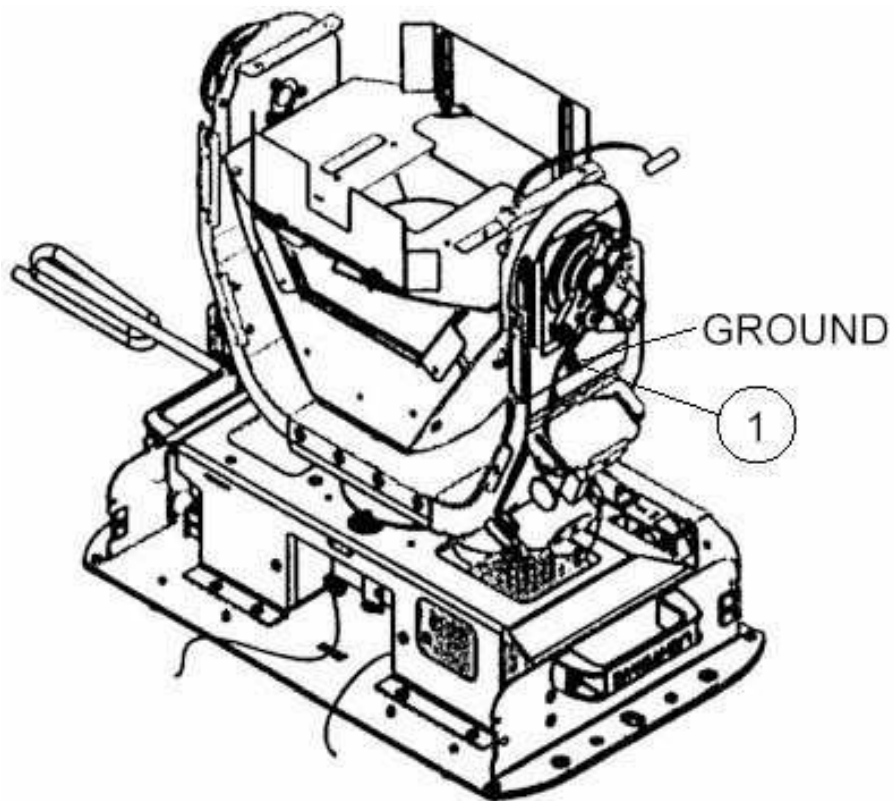


1.	90709063	Screw, Phil Pan 8 - 32 x 3/4
2.	99410074	Label, Lamp Cap Studio Beam
3.	99080093	Plate, Lamp Mount Z Adjust
4.	90701002	Spring, #88
5.	90709180	Screw, Phil Pan M3 x 6mm
6.	99080094	Plate, Lamp Adjust Studio Beam
7.	80470202	Lamp Socket with Wires

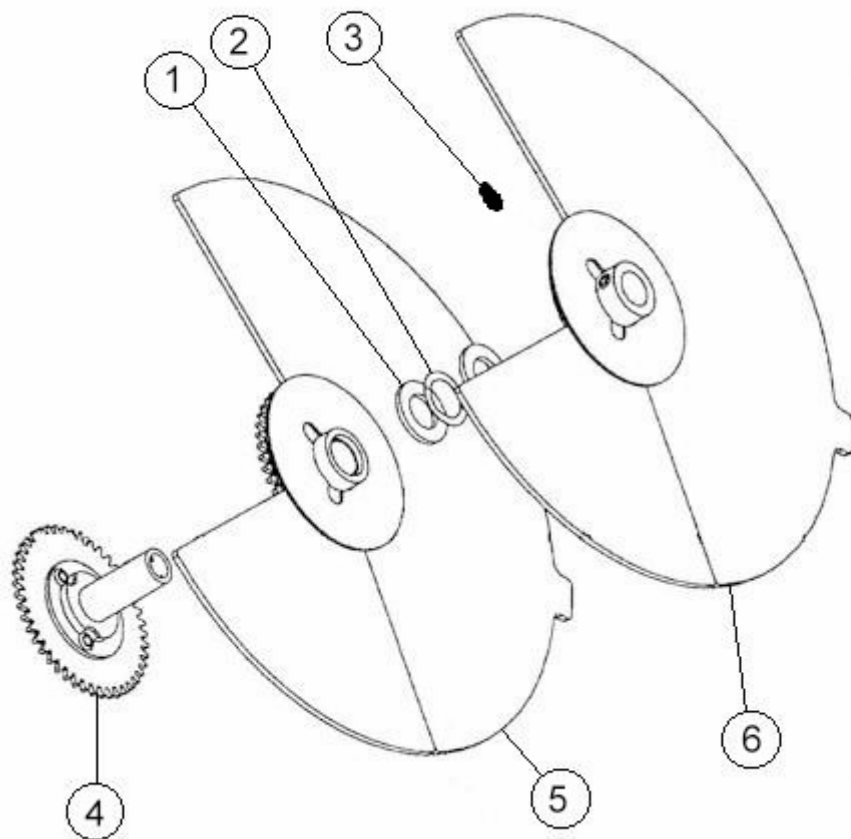


FINAL VIEW

1.	90709136	Screw, Phil Pan 8 - 32 x 5/16 with Star Washer
----	----------	--



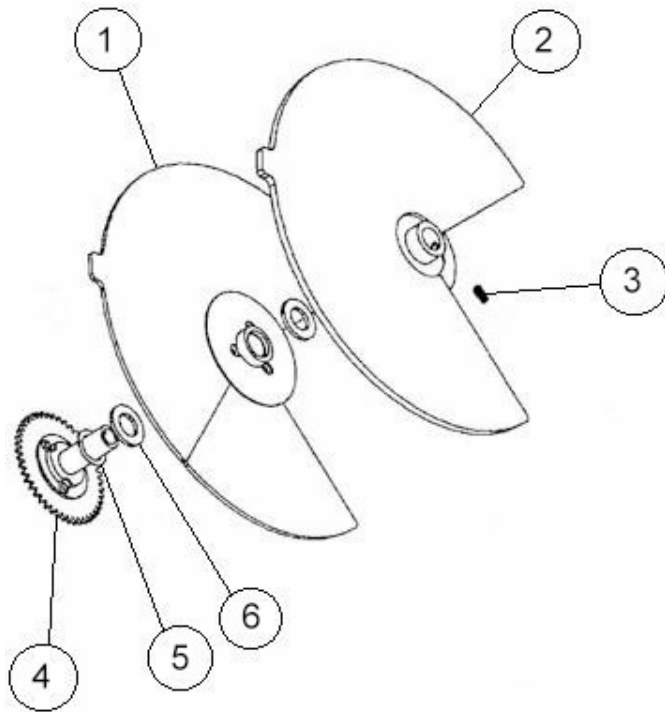
1.	90703023	Nut, Keps 8 - 32
----	----------	------------------



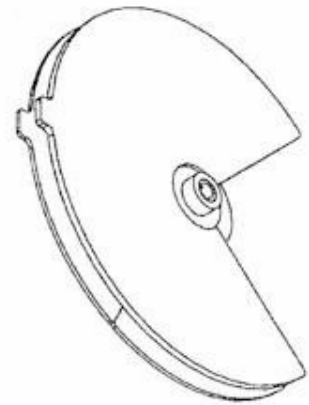
FINAL VIEWS



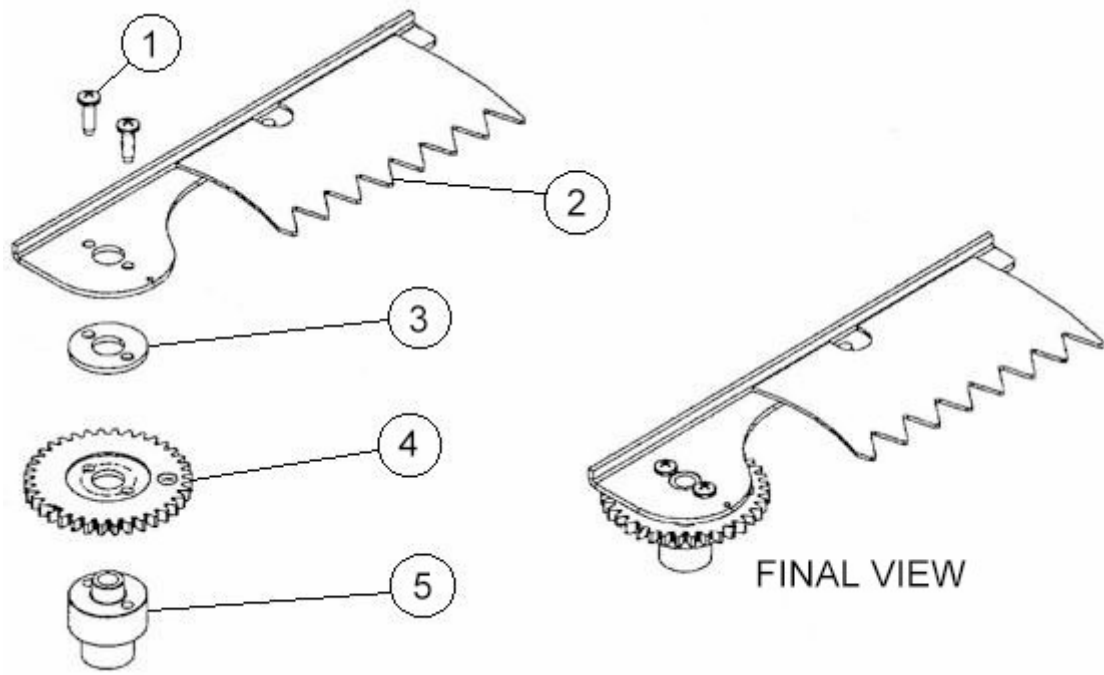
1.	90702148	Spacer
2.	90706098	Washer, Wave Spring
3.	90707091	Set Screw, 8 - 32 x 1/4 Socket Flat
4.	99430047	Gear Assy, 45 Tooth Shutter Side with Hub
5.	80190062	Wheel, Cyan Assy.
6.	80190064	Wheel, Yellow Assy.



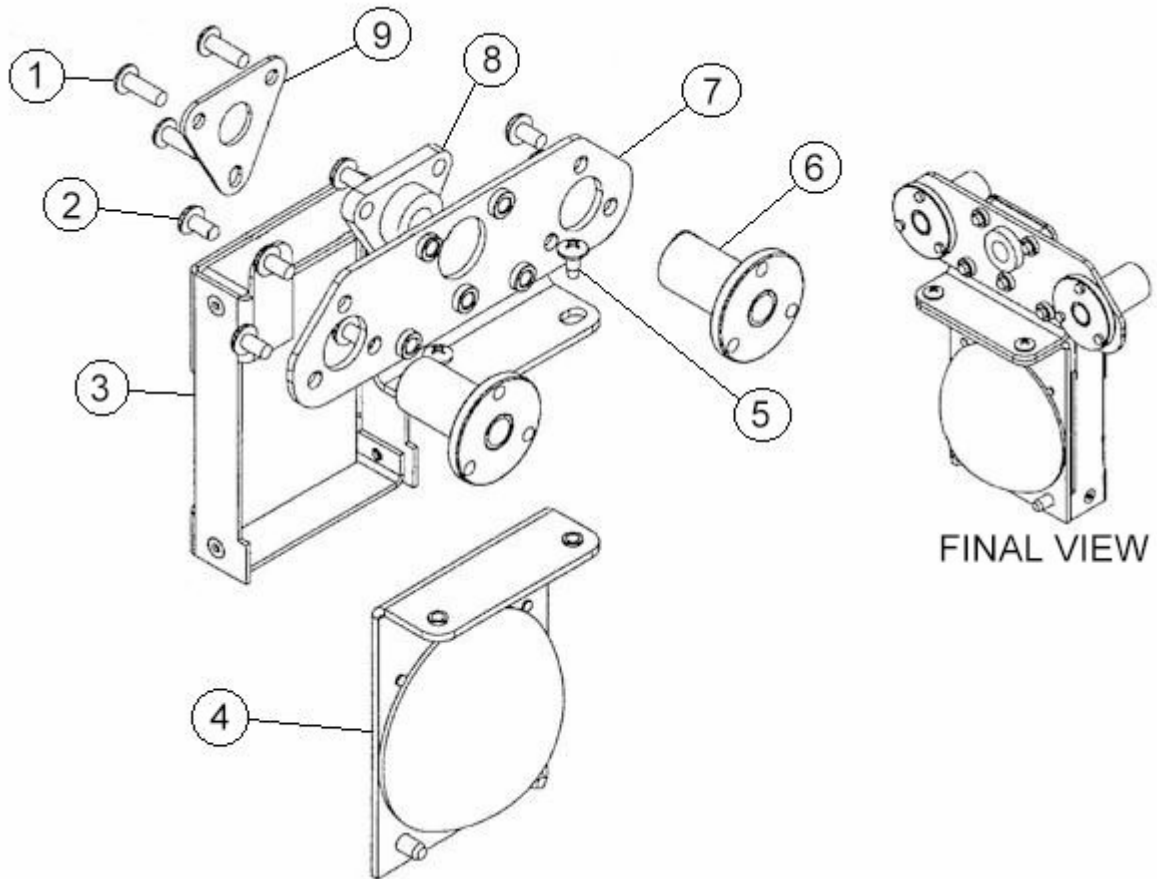
FINAL VIEWS



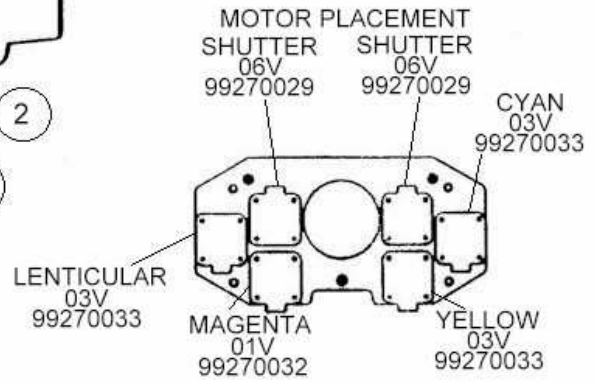
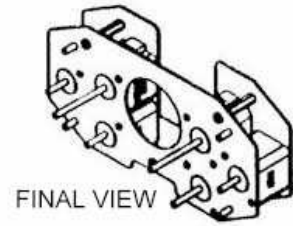
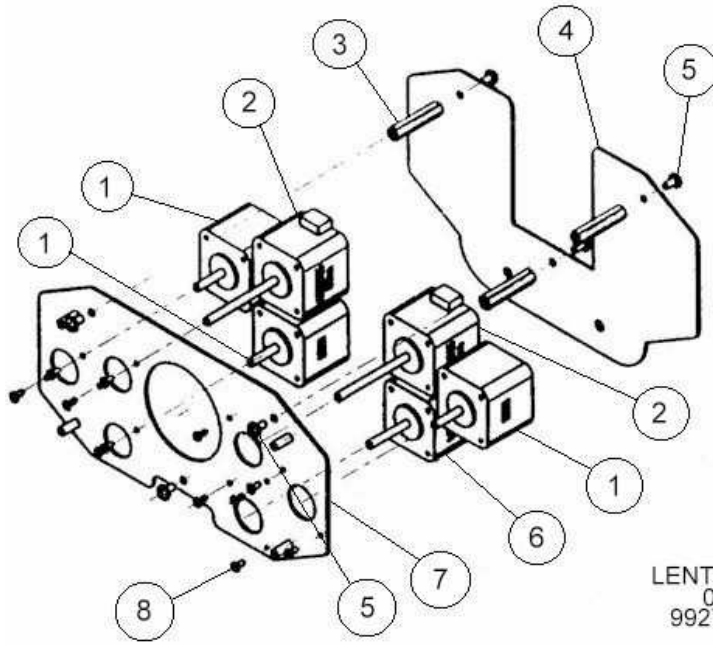
1.	80190063	Wheel, Magenta Assy
2.	80190065	Wheel, Effects Fibroid (Lenticular Beam Shaping)
3.	90707091	Set Screw, 8 - 32 x 1/4 Socket Flat
4.	99430047	Gear Assy, 45 Tooth Shutter Side with Hub
5.	90706098	Washer, Wave Spring
6.	90702148	Spacer



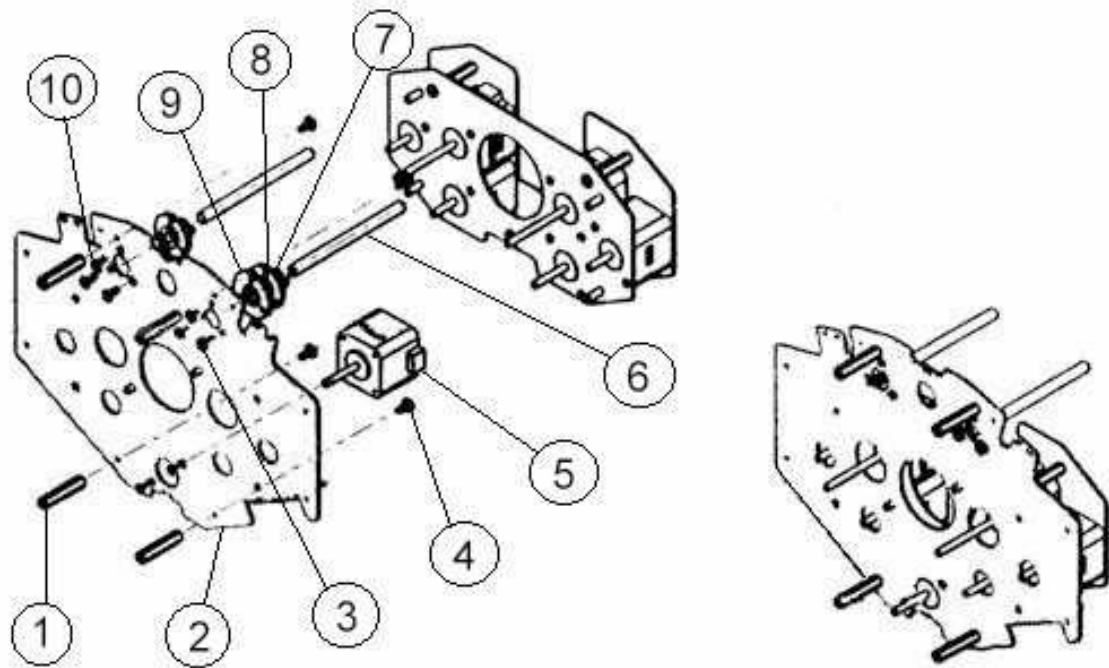
1.	90709119	Screw, Phil Pan 4 - 40 x 1/2
2.	80560023	Frost Flag Right
3.	90702113	Spacer, Frost Flag
4.	99430022	Gear, Overmolded 36 Tooth
5.	99400044	Hub, Frost Flag Standoff



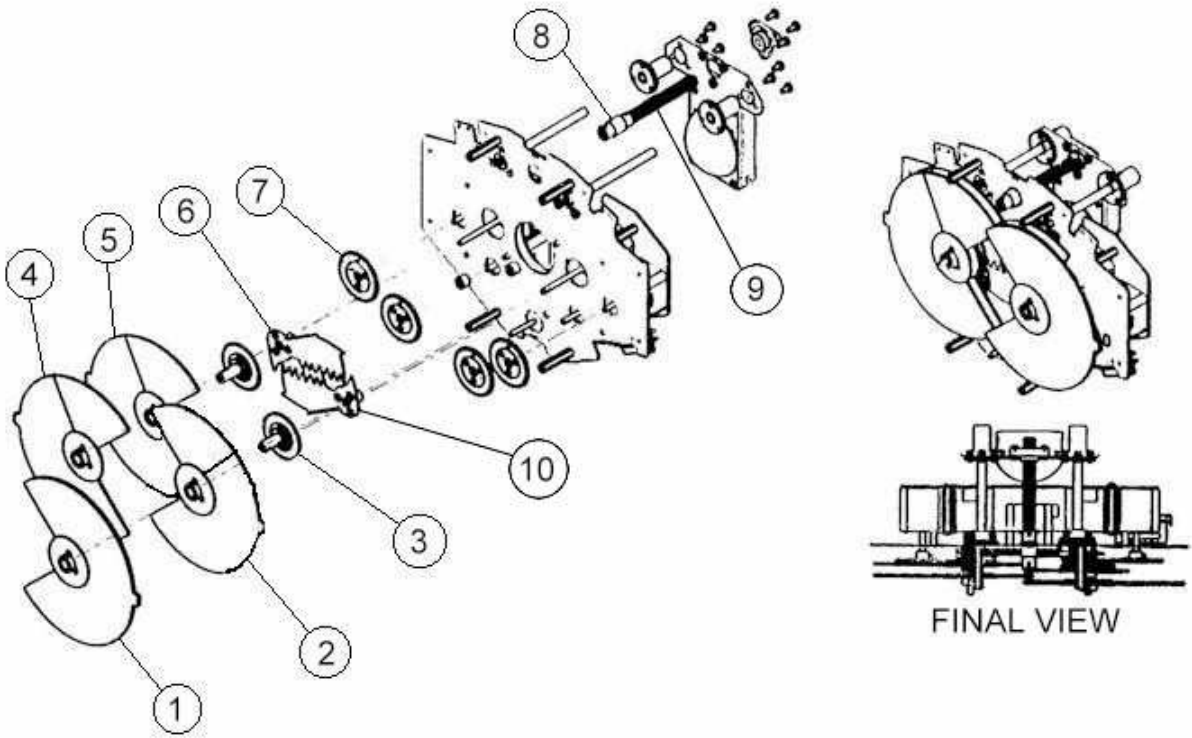
1.	90709090	Screw, Phil Pan 8 - 32 x 1/2
2.	90709136	Screw, Phil Pan 8 - 32 x 5/16 w/ Star Washer
3.	80580033	Heat Filter Assy.
4.	80160049	Lens, Zoom Assy.
5.	90711048	Screw, Phil Truss 6 - 32 x 5/16
6.	80570010	Bearing Assy. Linear Slide
7.	99260309	Bracket, Aspheric Lens Shaft Mount
8.	90703061	Nut, Lead Screw Nylon
9.	80071452	Plate, UV Block Nut



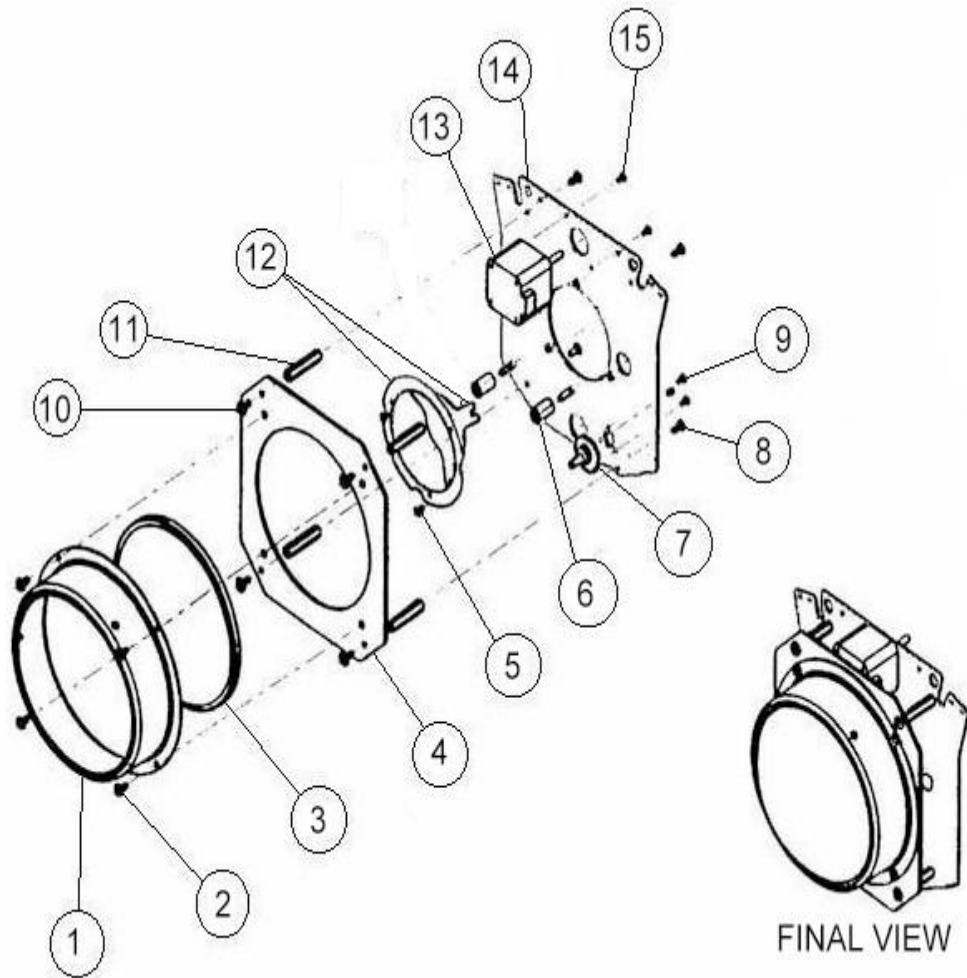
1.	99270071	Motor, 03
2.	99270074	Motor, 06
3.	90702147	Standoff, Hex 8 - 32 x 1.5"
4.	80071433	Plate, Motor Cover, Coated
5.	90709136	Screw, Phil Pan, 8 - 32 x 5/16 with Star Washer
6.	99270072	Motor, 01
7.	80071419	Plate, Motor Mount, Coated
8.	90709118	Screw, Phil Pan 4 - 40 x 5/16



1.	90702147	Standoff, Hex 8 - 32 x 1.5
2.	80071421	Plate, Mid Painted
3.	90708014	Screw, Socket Shoulder 8 - 32
4.	90709141	Screw, Phil Flat 8 - 32 x 3/8
5.	99270072	Motor, 01V
6.	99260278	Shaft, 4.25" x 8mm
7.	90707091	Set Screw, 8 - 32 x 1/4
8.	99260295	Collar, Mount Shaft 8mm
9.	90701157	Gasket, Shaft Support
10.	90709141	Screw, Phil Flat 8 - 32 x 3/8



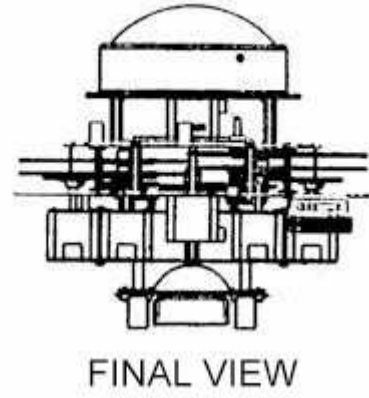
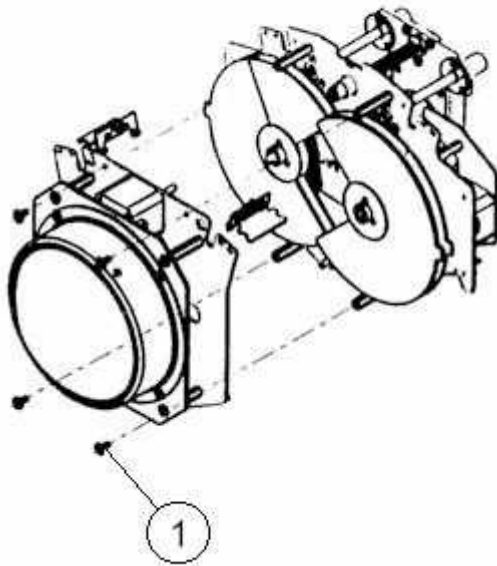
# #	80190065	Wheel, Beam Shaping
2.	80190063	Wheel, Magenta
3.	99430047	Gear Assy, 45 tooth w/ Hub
4.	80190064	Wheel, Yellow
5.	80190062	Wheel, Cyan
6.	80560025	Dim Flag Left
7.	99430048	Gear, Assy. 45 Tooth with Hub
8.	90701137	Coupler, Bonded Rubber
9.	90721010	Lead Screw, Focus Drive
10.	80560026	Dim Flag Right (Beam Shaping Side)



1.	80071415	Ring, Lens
2.	90709136	Screw, Phil Pan 8 - 32 x 5/16 with Star Washer
3.	99090043	Lens, Pebble Convex
4.	80071445	Plate, Lens PC
5.	90711037	Screw, Phil Flat 6 - 32 x 1/4
6.	90717012	Tubing, Silicone 3/16 ID
7.	99400042	Hub, Shaft Frost Flag
8.	90709141	Screw, Phil Flat 8 - 32 x 3/8
9.	90701136	Rivet, Countersunk
10.	90709136	Screw, Phil Pan 8 - 32 x 5/16 with Star Washer
11.	90702147	Standoff, Hex 8 - 32 x 1.5
12.	80160046	Diffusion Lens Assy.
13.	99270032	Motor, 01
14.	80071422	Plate, Front
15.	90711044	Screw, Phil Flat 4 - 40 x 1/4

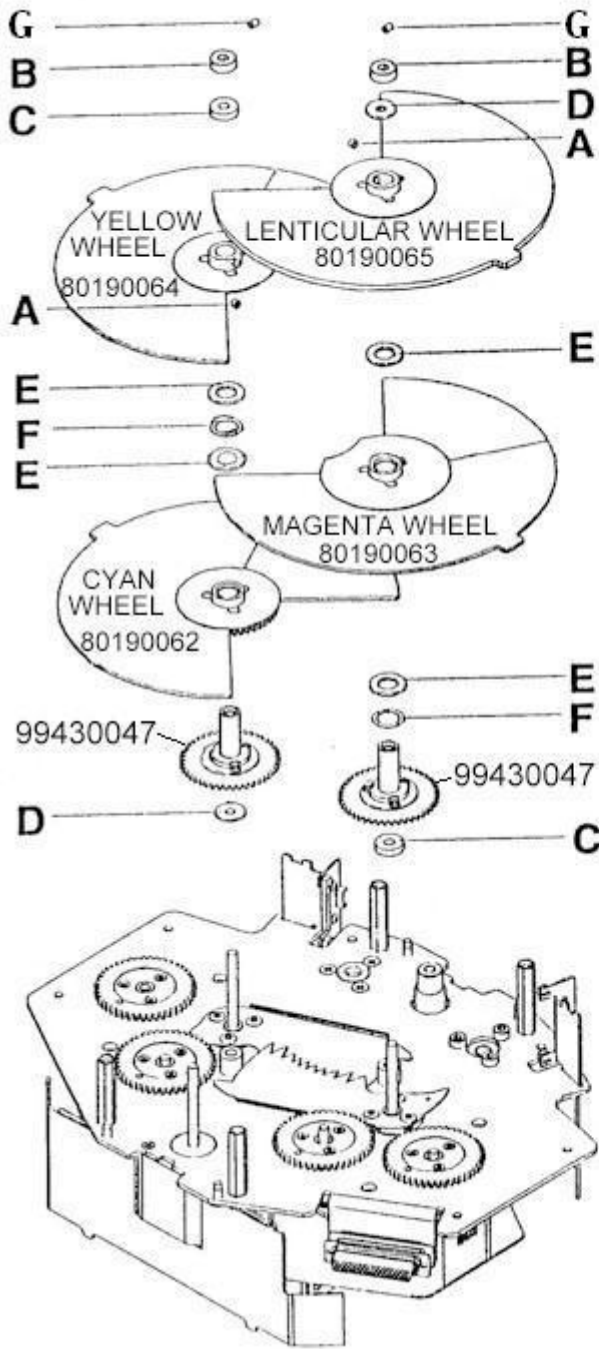
Not Pictured








90701188	Rubber Lens Retainer "Bumper"
90711037	Screw for Lens "Bumper"

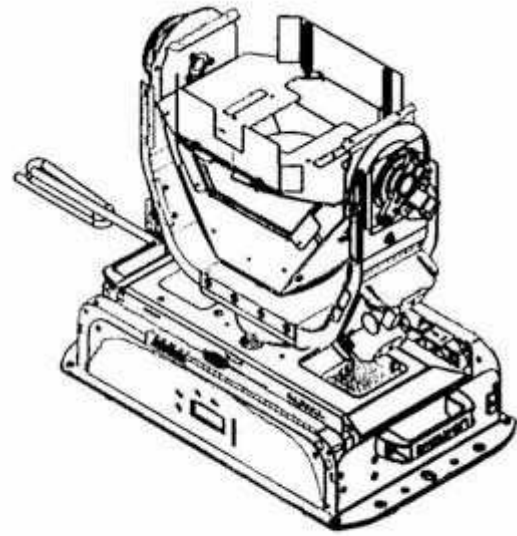
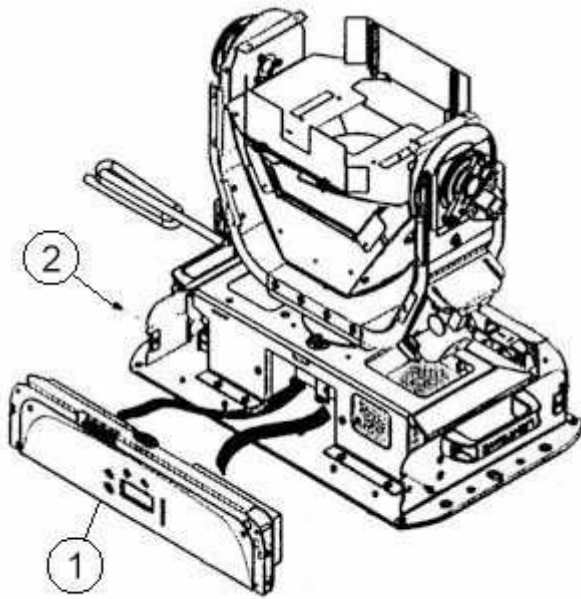


1.	90709136	Screw, Phil Pan 8 - 32 x 5/16 with Star Washer
----	----------	--

WHEEL / HARDWARE ARRANGEMENT

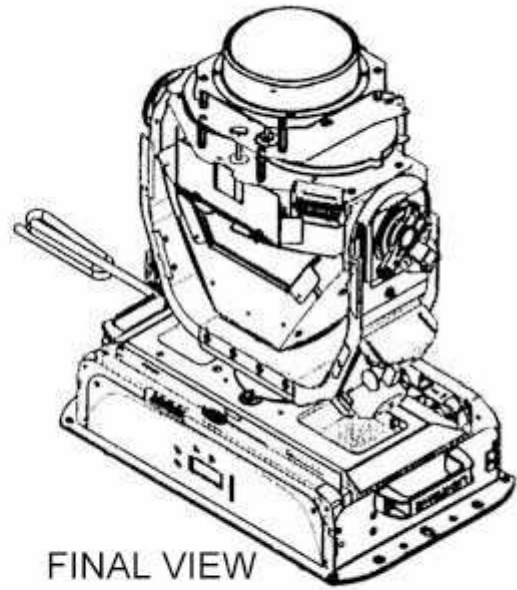
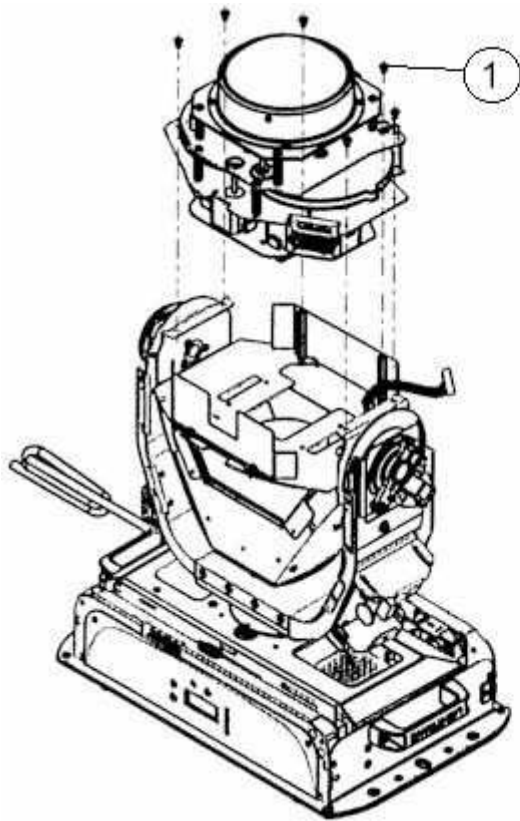


-  **A** SET SCREW
90707091
-  **B** RETAINING COLLAR
90701187
-  **C** .55 OD SPACER
90702167
-  **D** WASHER
90706083 BLACK
OR
90706091 WHITE
-  **E** .70 OD SPACER
90702148
-  **F** WAVE WASHER
90706098
-  **G** SET SCREW
90707093



FINAL VIEW

1.	80010125	Logic Board
2.	90709135	Screw, Phil Pan 6 - 32 x 5/16 with Star Washer



FINAL VIEW

1.	90709136	Screw, Phil Pan 8 - 32 x 5/16 with Star Washer
----	----------	--